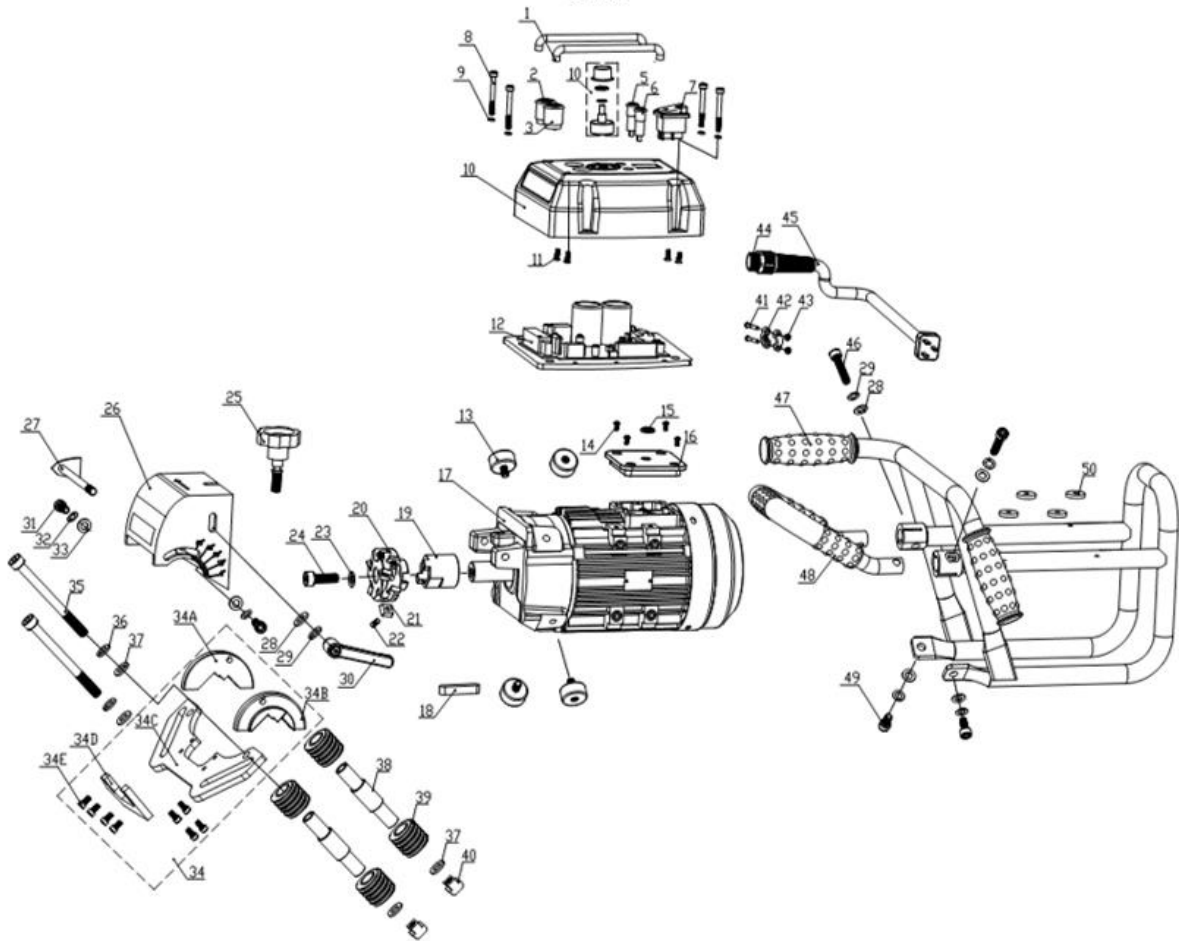


## Spare parts B60S

| No. | Part number | Description                     | Qty |
|-----|-------------|---------------------------------|-----|
| 1   | B60.0022    | Protective handle               | 2   |
| 2   | B60.0024    | Red button switch               | 1   |
| 3   | B60.0025    | Green button switch             | 1   |
| 4   | B60.1007    | Potentiometer integration       | 1   |
| 5   | B60.0017    | Red signal light                | 1   |
| 6   | B60.0018    | Green signal light              | 1   |
| 7   | B60.0023    | Waterproof ship type switch     | 1   |
| 8   | B60.0016    | Inner six angle bolt            | 4   |
| 9   | 020.0217    | Spring washer                   | 4   |
| 10  | B60.1008    | Electrical box assembly B60S    | 1   |
| 11  | 020.0101    | Panel screw BKVZ M4 x 8         | 4   |
| 12  | B60.1002    | Frequency converter assembly    | 1   |
| 13  | B60.0004    | Rubber isolator                 | 4   |
| 14  | 020.0329    | Screw M4 x 16                   | 4   |
| 15  | B60.0008    | Rubber cord protector           | 1   |
| 16  | B60.0054    | Motor cable end cover           | 1   |
| 17  | B60.1001    | Motor assembly 220V             | 1   |
|     | B60.1001A   | Motor assembly 110V             |     |
| 18  | B60.0002    | Key                             | 1   |
| 19  | B60.0026    | Cutter head connecting sleeve   | 1   |
| 20  | B60.0027    | Cutter body                     | 1   |
| 21  | LKS.15      | Cutting plate                   | 10  |
| 22  | B60.0029    | Screw                           | 10  |
| 23  | B60.0030    | Elastic washer                  | 1   |
| 24  | B60.0031    | Screw                           | 1   |
| 25  | B60.0032    | Adjustment knob                 | 1   |
| 26  | B60.1009    | Cutter head cover with logo tag | 1   |
| 27  | B60.0034    | Pointer plate                   | 1   |
| 28  | 020.0305    | Washer M8                       | 5   |
| 29  | 100.0031    | Spring washer                   | 5   |
| 30  | B60.0036    | Adjustable handle               | 1   |
| 31  | B60.0046    | Screw                           | 2   |
| 32  | B60.0056    | Spring washer                   | 2   |
| 33  | B60.0055    | Levelling pad                   | 2   |

| No.   | Part number         | Description                      | Qty |
|-------|---------------------|----------------------------------|-----|
| 34    | B60.1006            | Guide plate assembly:            | 1   |
| 34A   | B60.0037            | Left semicircle slider           | 1   |
| 34B   | B60.0038            | Right semicircle slider          | 1   |
| 34C   | B60.0039(-1)        | Lower plate (stainless steel)    | 1   |
| 34D   | B60.0040(-1)        | Upper plate (stainless steel)    | 1   |
| 34E   | 020.0223(-1)        | Screw M5 x 10 (stainless steel)  | 8   |
| 35    | B60.0041            | Screw M10                        | 2   |
| 36    | B60.0030            | Elastic washer                   | 2   |
| 37    | B60.0042            | Flat washer M10                  | 4   |
| 38    | B60.0044            | Sleeve steel                     | 2   |
| 39    | B60.0043(-1)        | Contact roller (stainless steel) | 4   |
| 40    | B60.0045            | T-nut                            | 2   |
| 41-43 | 020.0037            | Cable clamp complete             | 1   |
| 44    | 020.0031            | Coupling nut PG11 (main cable)   | 1   |
| 45    | 020.0036            | Main cable 220V - 240V EU        | 1   |
|       | 020.0036/AU         | Main cable 220V - 240V AU        |     |
|       | 020.0036/UK         | Main cable 220V - 240V UK        |     |
|       | 020.0036/UK 110-16A | Main cable 110V - 120V UK 16A    |     |
|       | 020.0036/USA        | Main cable 110V - 120V USA       |     |
| 46    | B60.0062            | Inner hex bolt                   | 2   |
| 47    | B60.1003            | Frame                            | 1   |
| 48    | B60.1004            | Handle bar U-shaped              | 1   |
| 49    | B60.0063            | Inner hex bolt                   | 2   |
| 50    | B60.0014            | Duckbill gasket                  | 4   |
| 100   | CAS.B60             | Metal case                       | 1   |
| 101   | SAF.100             | Safety goggles                   | 1   |
| 102   | PRM.61              | Protective gloves M              | 1   |
|       | PRM.62              | Protective gloves L              |     |
|       | PRM.63              | Protective gloves XL             |     |
| 103   | SAF.200             | Ear plugs                        | 1   |
| 104   | B60.0049            | Spanner Torx T20                 | 1   |
| 105   | IMB.US4             | Allen key 4.0 mm                 | 1   |
| 106   | IMB.US6             | Allen key 6.0 mm                 | 1   |
| 107   | IMB.US8             | Allen key 8.0 mm                 | 1   |
| 108   | B60.0052            | Tool box                         | 1   |
| 109   | B60.0050            | Open spanner 18 mm               | 1   |
| 110   | B60.0051            | Open spanner 32 mm               | 1   |

B60S



B60S

